

12V DC		9" (225mm) Suction			9" (225mm) Blowing		
Revotec part no		FAN0605HP			FAN0610HP		
Full COMEX code		F26P-12E8105-40S 2700.0605.00			F26P-12E8102-10B 2700.0610.00		
Fan shroud type		F26P			F26P		
Static pressure		Suction			Blowing		
Pa	Inches H ₂ O	Airflow m ³ /h	Airflow cfm	Current A	Airflow m ³ /h	Airflow cfm	Current A
0	0	1040	610	6.6	1240	730	9.5
25	0.1	990	580	6.7	1150	680	9.5
50	0.2	940	550	7.1	1060	630	9.4
75	0.3	890	530	7.4	950	560	9.3
100	0.4	830	490	7.5	820	480	9.2
125	0.5	770	450	7.7	620	370	9.1
150	0.6	700	410	7.8	500	300	9.3
175	0.7	620	370	7.9	400	240	9.3
200	0.8	540	320	8.0	270	160	9.5
250	1.0	380	220	8.4	0	0	10.6
300	1.2	240	140	8.7			
350	1.4	110	60	9.2			
400	1.6	0	0	9.5			



Blowing
(Straight blade)

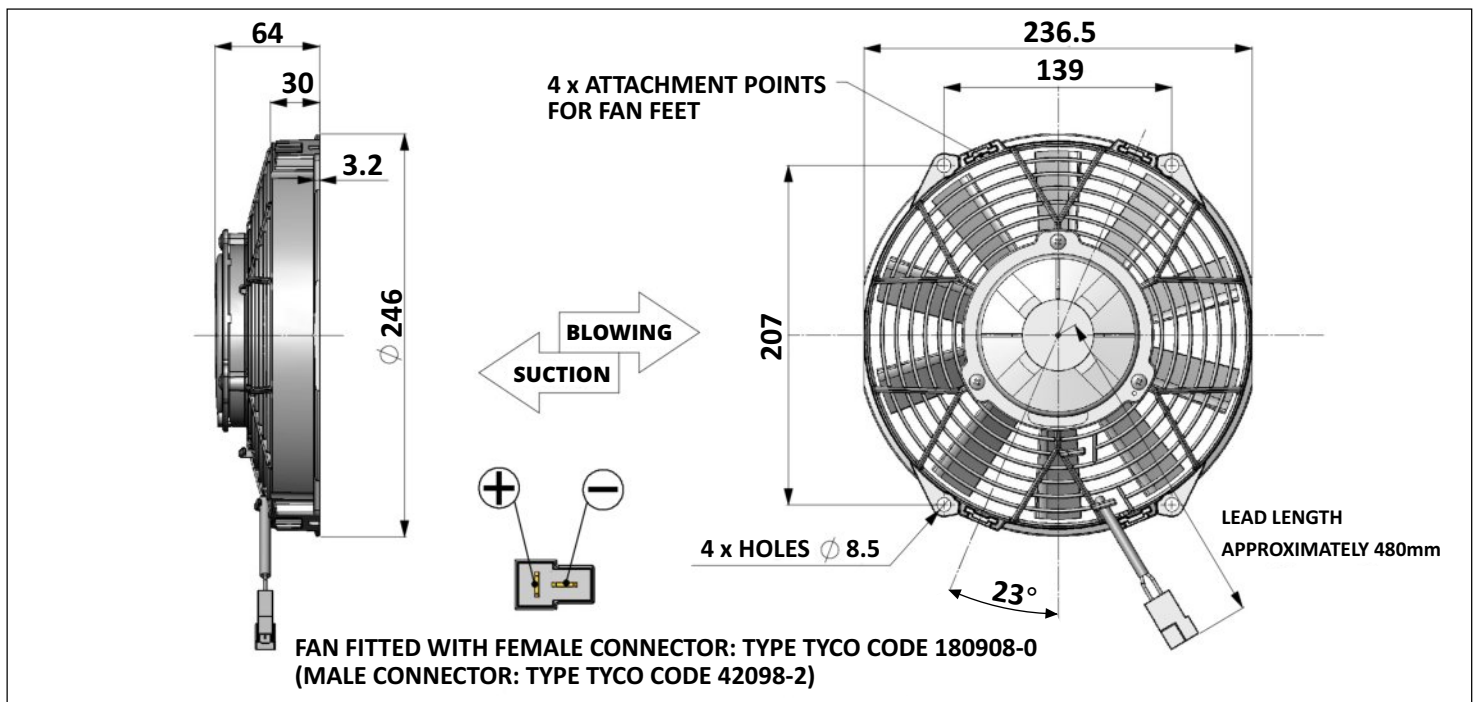


Suction
(Curved blade)

Test voltage 13.0 V DC

Weight 1.6 kg

3D model available email us: sales@revotec.com



Notes: