

12V DC		15.2" (385mm) Suction			15.2" (385mm) Blowing		
Revotec part no		FAN0349HP			FAN0445HP		
Full COMEX code		F30P-12EL8103/HT-08S 2700.0349.00			F30P-12EL8103/HT-08B 2700.0445.00		
Fan shroud type		F30P			F30P		
Static pressure		Suction			Blowing		
Pa	Inches H ₂ O	Airflow m ³ /h	Airflow cfm	Current A	Airflow m ³ /h	Airflow cfm	Current A
0	0	3030	1790	9.9	2920	1720	9.5
25	0.1	2720	1600	10.1	2650	1560	9.7
50	0.2	2400	1420	10.5	2340	1380	9.9
75	0.3	2020	1190	10.4	1820	1070	9.9
100	0.4	1480	870	10.2	1150	680	9.9
125	0.5	840	500	10.1	490	290	9.7
150	0.6	260	150	10.2	90	50	9.8
175	0.7	0	0	10.6	0	0	10.3

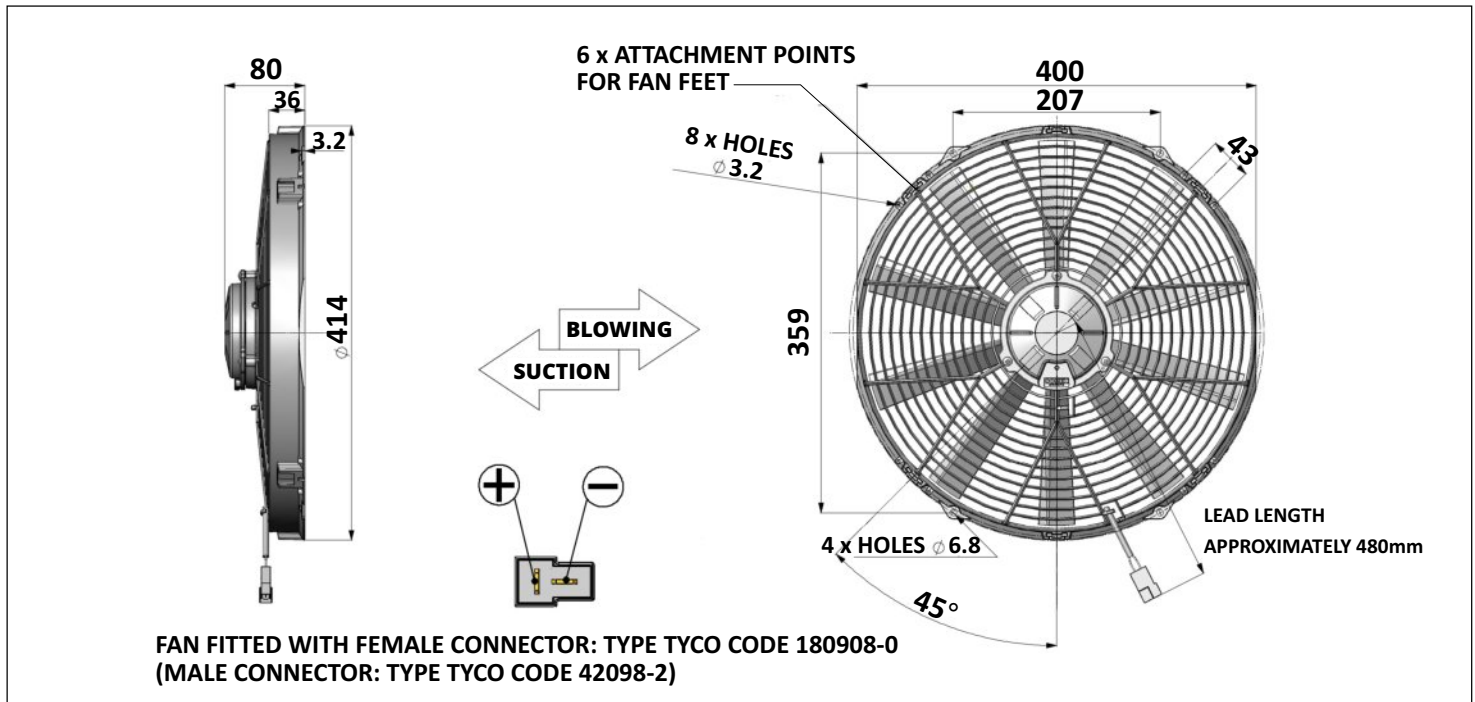


Suction/Blowing
(Straight blade)

Test voltage 13.0 V DC

Weight 2.2 kg

3D model available email us: sales@revotec.com



Notes: