

12V DC		10" (255mm) Suction			10" (255mm) Blowing		
Revotec part no		FAN0193HP			FAN0212HP		
Full COMEX code		F31P-12E8102-13S 2700.0193.00			F31P-12E8102-13B 2700.0212.00		
Fan shroud type		F31P			F31P		
Static pressure		Suction			Blowing		
Pa	Inches H ₂ O	Airflow m ³ /h	Airflow cfm	Current A	Airflow m ³ /h	Airflow cfm	Current A
0	0	1760	1040	11.8	1670	990	12.0
25	0.1	1660	980	11.9	1560	920	12.1
50	0.2	1570	930	12.1	1450	860	12.0
75	0.3	1450	860	12.0	1330	780	12.0
100	0.4	1330	780	12.1	1180	700	12.0
125	0.5	1190	700	12.2	970	570	11.8
150	0.6	990	580	11.9	800	470	11.7
175	0.7	670	400	11.5	670	400	11.9
200	0.8	550	320	11.9	480	280	11.7
250	1.0	190	110	12.1	80	50	13.1
300	1.2	0	0	13.9	0	0	13.7

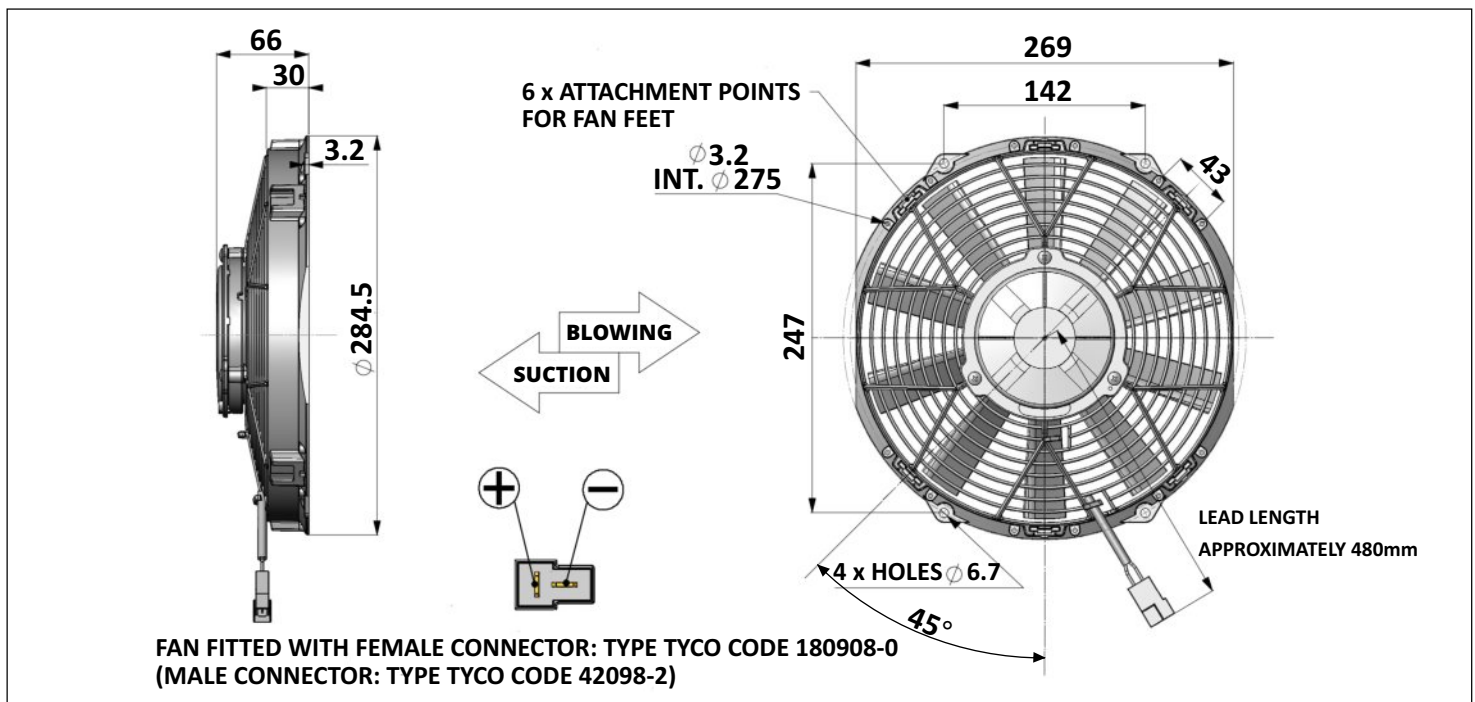


Suction/Blowing
(Straight blade)

Test voltage 13.0 V DC

Weight 1.6 kg

3D model available email us: sales@revotec.com



Notes: