

12V DC		7.5" (190mm) Suction			7.5" (190mm) Blowing		
<b>Revotec part no</b>		<b>FAN0091</b>			<b>FAN0092</b>		
Full COMEX code		F29P-12E8001-12S 2700.0091.00			F29P-12E8001-12B 2700.0092.00		
Fan shroud type		F29P			F29P		
Static pressure		Suction			Blowing		
Pa	Inches H <sub>2</sub> O	Airflow m <sup>3</sup> /h	Airflow cfm	Current A	Airflow m <sup>3</sup> /h	Airflow cfm	Current A
0	0	<b>700</b>	410	5.9	<b>660</b>	390	5.8
25	0.1	<b>620</b>	370	5.8	<b>610</b>	360	5.8
50	0.2	<b>510</b>	300	5.5	<b>530</b>	310	5.8
75	0.3	<b>410</b>	240	5.3	<b>420</b>	250	5.5
100	0.4	<b>380</b>	220	5.6	<b>320</b>	190	5.5
125	0.5	<b>340</b>	200	5.8	<b>260</b>	150	5.9
150	0.6	<b>280</b>	170	6.0	<b>200</b>	120	6.1
175	0.7	<b>210</b>	120	6.1	<b>120</b>	70	6.2
200	0.8	<b>170</b>	100	6.2	<b>50</b>	30	6.4
225	0.9	<b>130</b>	80	6.4	<b>10</b>	10	6.6
250	1.0	<b>60</b>	40	6.6	<b>0</b>	0	6.7
300	1.2	<b>0</b>	0	6.7			

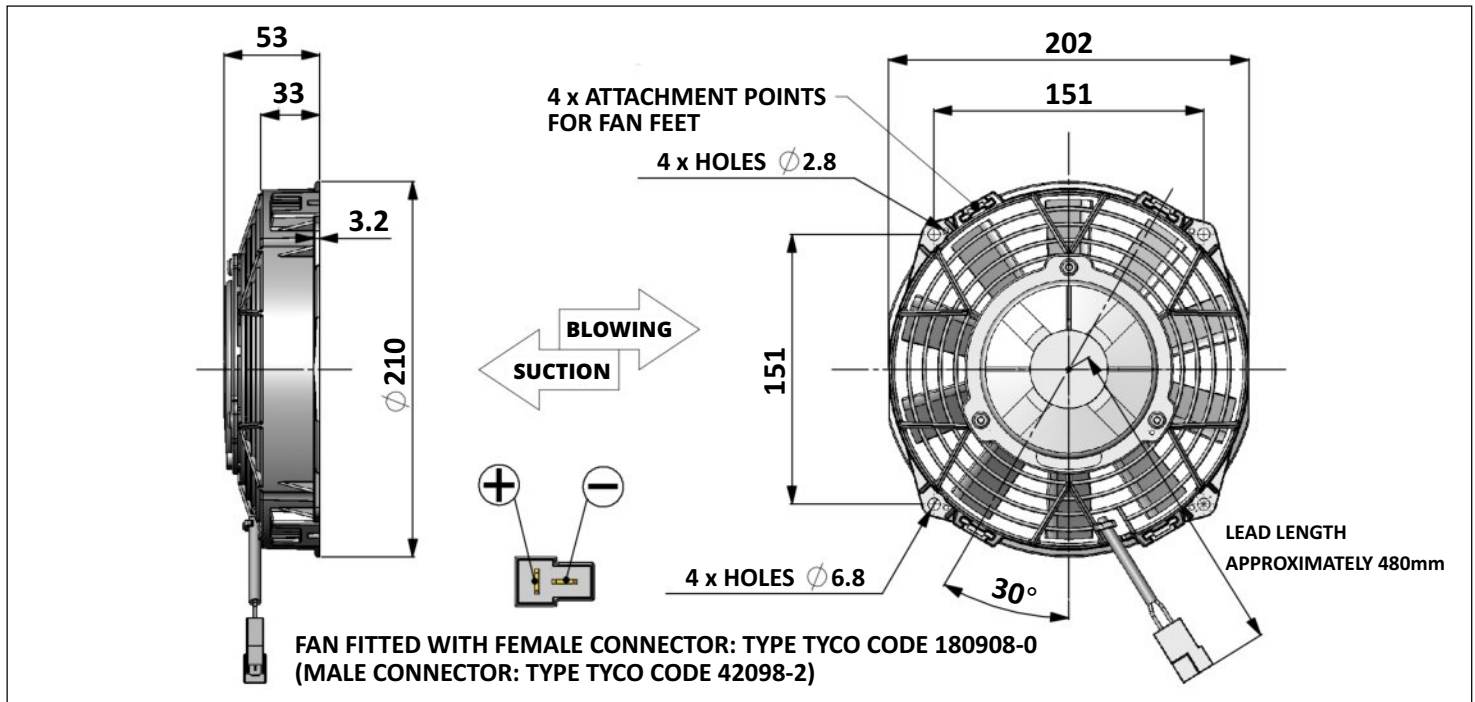


Suction/Blowing  
(Straight blade)

Test voltage 13.0 V DC

Weight 1.1 kg

3D model available email us: [sales@revotec.com](mailto:sales@revotec.com)



Notes: