

## CK-LRS-15RM INSTRUCTIONS

### INTRODUCTION

Designed to meet the FiA 8874-2019 regulations this Rain Light can be used in Static mode or Flashing 4Hz mode, as well as mounted in a horizontal or vertical position.

### WIRING

**Static Mode:**

Red wire - +12V Supply  
 Blue wire - Not Connected  
 Black wire - Gnd

**Flashing 4Hz Mode:**

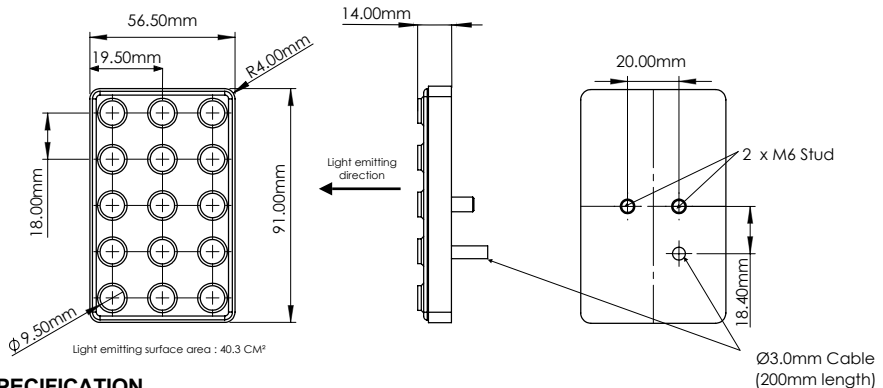
Red wire - Not connected  
 Blue wire - +12V Supply  
 Black wire - Gnd

### Note:

If both the Red and Blue wires are connected to +12V Supply then the Static Mode will take priority.

### INSTALLATION

Mount securely using the two rear M6 studs. Maximum torque 7.0 N/m



### SPECIFICATION

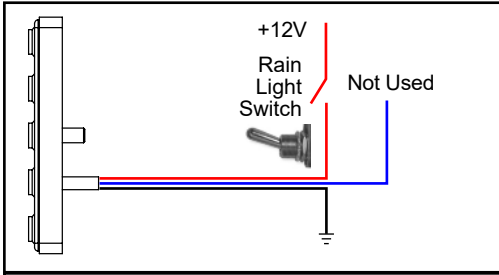
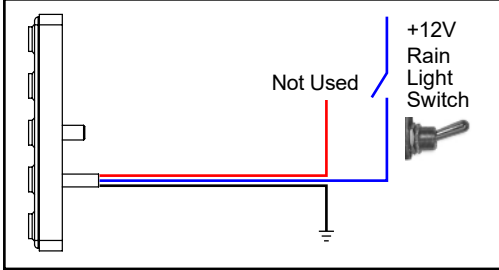
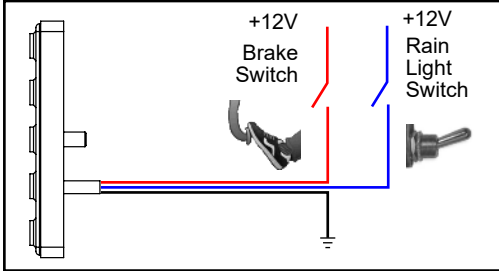
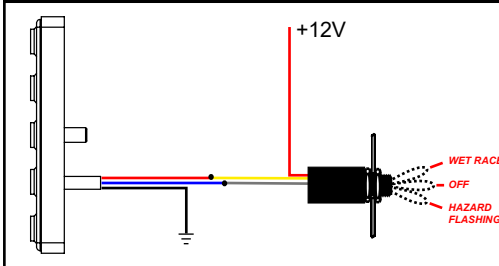
<b>Part Number:</b>	CK-LRS-15RM
<b>Homologation No:</b>	RL.009.22
<b>Size:</b>	56.5 x 91.0 x 14.0mm
<b>Operating Temp:</b>	-10 to 105°C
<b>Power Supply:</b>	11.3-15.6V
<b>Power Consumption:</b>	700mA @ 12.5V
<b>Number of Light Sources:</b>	15 LEDs
<b>Colour of Light:</b>	Red @ 620nm
<b>Weight:</b>	120g
<b>Connection:</b>	200mm Mil-Spec Flying lead (Type 55 22awg wire)
<b>IP Rating:</b>	IP65

# **CARTEK**

**AUTOMOTIVE ELECTRONICS**

## **CK-LRS-15RM INSTRUCTIONS**

### CONNECTION EXAMPLES

	<p><b>Static Mode only:</b>            Red wire - +12V            Blue wire - Not Connected            Black wire - Gnd</p>
	<p><b>Flashing 4hz Mode only:</b>            Red wire - +12V            Blue wire - Not Connected            Black wire - Gnd</p>
	<p><b>Brake Light/Rain Light:</b>            Red wire - +12V from Brake Switch            Blue wire - +12V            Black wire - Gnd</p>
	<p><b>CARTEK 3 Position Rain Light Switch:</b>            Red wire - Yellow wire (Switch)            Blue wire - Grey wire (Switch)            Black wire - Gnd            Red wire (Switch) - +12V</p>